

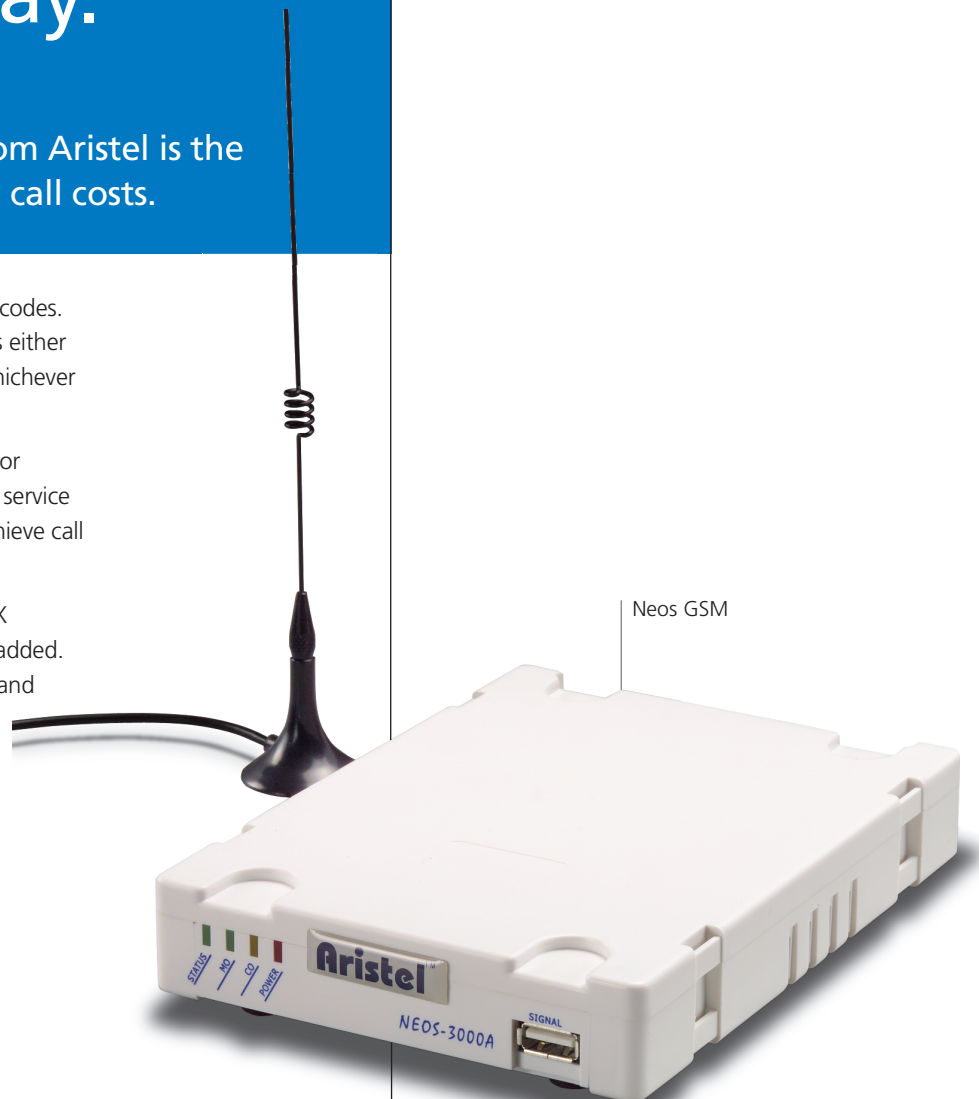
# The ultimate gsm gateway.

The NEOS GSM Gateway  
(fixed cellular terminal) from Aristel is the  
simple solution to slashing call costs.

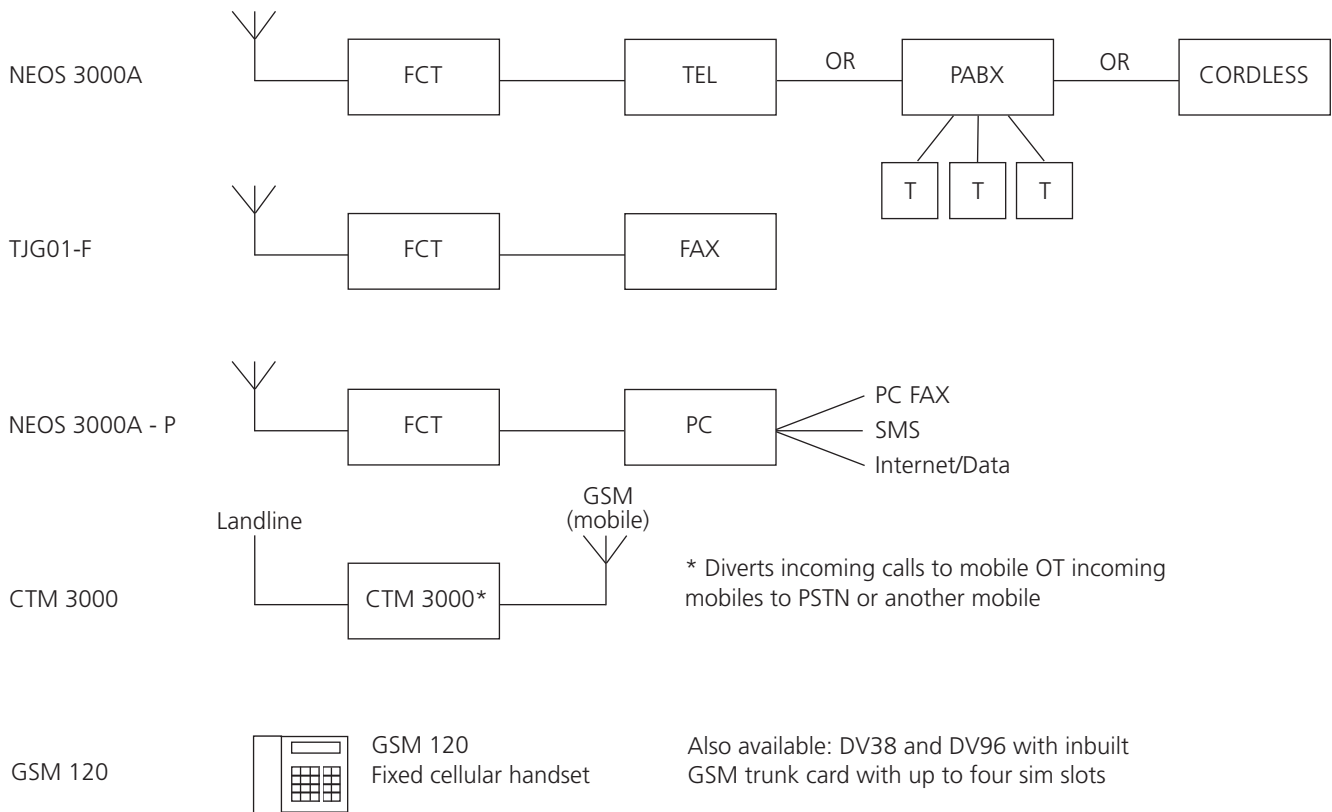
Neos offers 50 inbuilt programmable LCR codes. Using low-cost call plans, Neos routes calls either as mobile via a sim card or via landline, whichever is the cheaper option.

Enjoy free calls to mobiles from a landline or discount longdistance calls, depending on service provider selected. Neos can realistically achieve call cost savings of up to 70%.

Neos installs in minutes with PSTN or PABX systems, and any number of units can be added. Neos also provides line reversal, call timer and hotline feature.

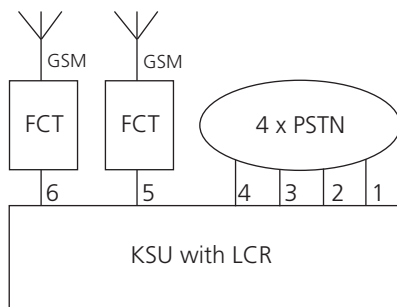


# Aristel fixed cellular terminals and call diverter options



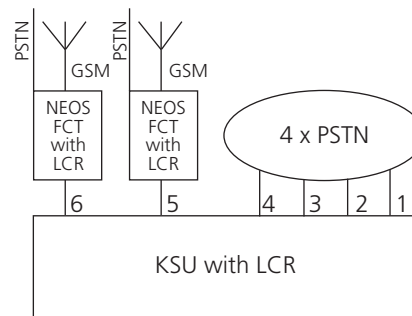
## Aristel double LCR fixed cellular terminal - Neos 3000A

### Normal LCR / FCT setup



- Standard FCT's use CO ports inefficiently
- Example above shows a 6 line KSU reduces to 4 lines for PSTN calls
- The alternative is to add a costly trunk card to maintain existing 6 PSTN plus 2 FCT trunks

### Aristel NEOS 3000A FCT setup



- Using NEOS 3000A 6 PSTN lines can still be maintained as well as 2 cellular trunks
- Using DOUBLE LCR you LCR both the NEOS & KSU
- PSTN line access order is 1-6 and FCT access is 5 and 6
- Flexibility and line efficiency is maintained

Your dealer:

E & OE Specifications subject to change without notice

Distributed by:  
 Aristel Networks Pty Ltd  
 1/25 Howleys Road,  
 Notting Hill Victoria 3168 Australia  
 T: 03 8542 2300 F: 03 9544 3299  
 Freecall: 1800 00 21 33  
 www.aristel.com.au

